

Indoor lights - With radio detector

L9-LED-HF



white , Part No. 94457

Product Information

- Round LED light for wall or ceiling mounting with integrated microwave detector
- Microwave detector not visible externally
- HF technology: 5.8 GHz - reacts to the smallest motion, independently of temperature
- Extremely short response time
- Energy efficient light with long service life > 50,000 hours
- Broad light distribution using diffused light covers
- Possibility to connect other lights which are also controlled by the one microwave detector
- Range, switch-on threshold and follow-up time set via potentiometers
- **Application examples:**
corridors, halls, staircases, storage rooms, cellars, toilets

Technical Data

Voltage:	230 V AC \pm 10% 50 / 60 Hz
Dimensions:	Ø 475 x 150 mm
Luminous flux / intensity:	LED circuit board securely mounted Colour temperature: L9-LEDN-HF: 4000 K neutral white L9-LEDW-HF: 3000 K warm white Luminous flux of LED: 2800 lm Luminous flux of light: 2200 lm Peak: 559 cd
Efficiency:	92 lm/W

Photobiological safety: RG 0

Colour reproduction: CRI 82.1 / TM30: 81.5

Rated life time: 50000 h (L80/B10)

Power consumption: 24 W / PF 0.94

Degree / class of protection: IP40 / Class I

Impact strength: IK02

Ambient temperature: -20 °C to +40 °C

Housing: Coated sheet steel case with LED circuit board, plastic cover
Lens: PMMA diffuser, white

Microwave detector

Radar / HF technology: 5.8 GHz, < 10 mW

Switching power: 1200 W, $\cos \varphi = 1$
600 VA, $\cos \varphi = 0.5$

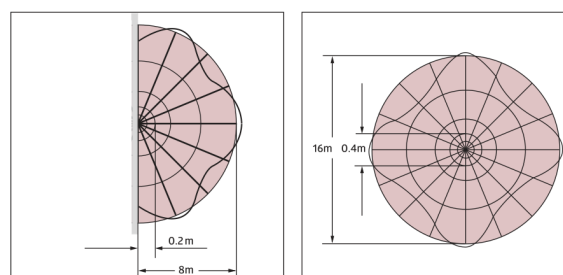
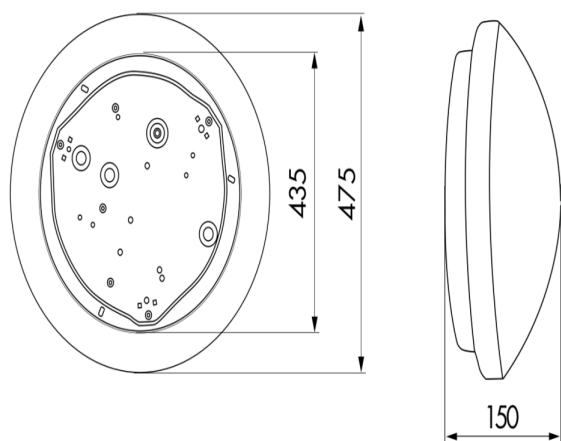
Detection area: horizontal 360° (Wall mounting)
Ø 0.4 - 16 m

Follow-up time: 5 sec - 15 min

Switch-on threshold: 2 - 2000 Lux

Description

Description	Colour	Part number	EAN number
L9-LEDN-HF	white	94457	4007529944576
L9-LEDW-HF	white	94467	4007529944675

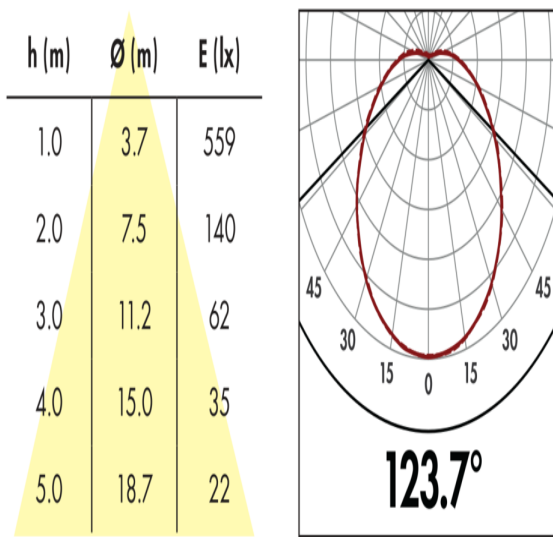


Dimensions 94457

Range diagram

1: Walking across or towards.
 The range depends on

size and speed of the object.



Light distribution curve