

KNX - KNX Gen6 Basic occupancy detectors

PD11-KNX-FLAT-BA



white mat, similar to
RAL9010 , Part No. 93803

Product Information

- Low profile KNX occupancy detector with integrated KNX bus connector
- Full automatic mode
- 1 x light (for switching), 1 separate HVAC bloc
- Measuring of mixed light thanks to internal light sensor
- Various locking functions
- Status LEDs can be activated / deactivated
- Behaviour upon bus voltage return definable at choice
- Settings ex ETS 4 for integration in KNX systems
- The product database for import into the ETS database can be downloaded from the B.E.G. homepage.
- Spring clips for quick and easy installation in suspended ceilings
- Includes blinds and clamp ring for installation into light fittings
- Flush mounting with accessory 92833, surface mounting with accessories 92833 and 92121
- **Application examples:**
underground car parks, entrance halls, corridors/hallways, staircases, small offices, open-plan offices, conference rooms

Technical Data

Voltage:	via KNX BUS
Dimensions:	Ø 52 x 48 mm
typ. power input:	12 mA

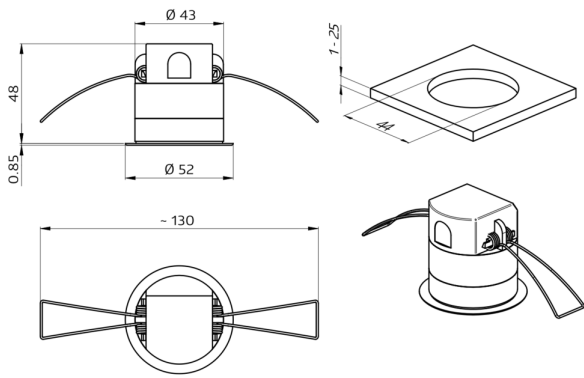
Detection area:	horizontal 360° (Ceiling mounting)
Range:	max. Ø 9 m across max. Ø 6 m towards max. Ø 3 m seated
Monitored area (tangential movement):	63 m ² / 2.5 m mounting height
Mounting height min./max./recommended:	2 m / 5 m / 2.5 m
Degree / class of protection:	IP54 / Class III
Impact strength:	IK02
Ambient temperature:	-25 °C to +55 °C
Housing:	polycarbonate, UV-resistant
KNX TP 256:	Yes
Switch-on threshold:	5 – 2000 Lux

Description

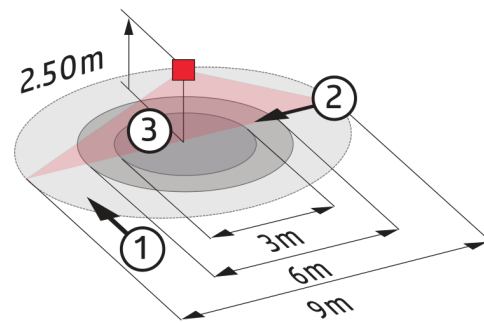
Description	Colour	Part number	EAN number
PD11-KNX-FLAT-BA-FC	white mat, similar to RAL9010	93803	4007529938032

Accessory

Description	Colour	Part number	EAN number
Cover ring PD11	white mat, similar to RAL9010	92692	4007529926923
Cover ring PD11	black glossy, similar to RAL9011	92537	4007529925377
In-wall mounting set / PD11	white	92833	4007529928330
Square design frame PD11-FC	white mat, similar to RAL9010	92994	4007529929948
Surface mounting socket PD11	white	92121	4007529921218

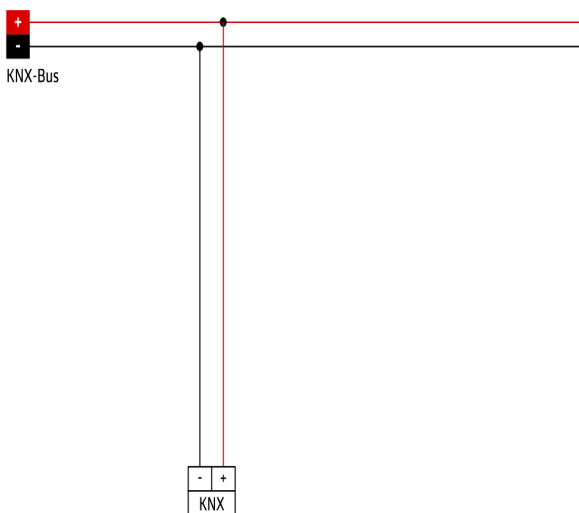


Dimensions 93803



Range diagram

- 1: Walking across
- 2: Walking towards
- 3: Seated activity



Wiring diagrams