

## Microwave detectors - Motion detector

## HF-MD1



white mat, similar to RAL9010 , Part No. 94401      white mat, similar to RAL9010 , Part No. 94417

## Product Information

- Microwave motion detector, designed for surface mount and installation in lights
- Temperature-independent detection
- Detection can be made through various materials
- Range, switch-on threshold and follow-up time set via potentiometers
- **Application examples:**  
toilets, equipment rooms, plumbed rooms/bathrooms

## Technical Data

<b>Voltage:</b>	230 V AC +/- 10% 50 / 60 Hz
<b>Dimensions:</b>	101 x 42 x 42 mm
<b>Power consumption:</b>	approx. 1.2 W
<b>Detection area:</b>	horizontal 360° (Ceiling mounting) Ø 0.4 - 16 m
<b>Range:</b>	max. 8 m towards
<b>Monitored area (tangential movement):</b>	200 m <sup>2</sup> / 2.5 m mounting height
<b>Mounting height min./max./recommended:</b>	1 m / 4 m / 2.5 m
<b>Degree / class of</b>	IP20 / Class II

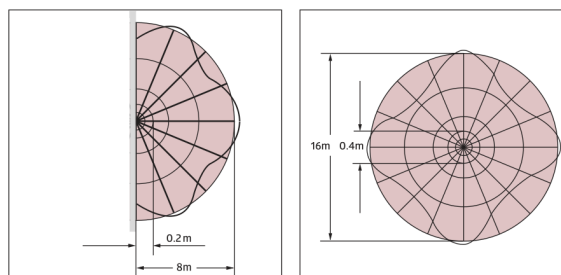
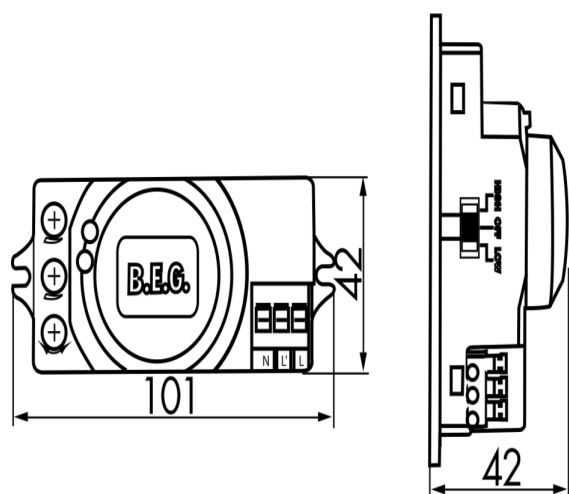
**protection:****Ambient temperature:** -15 °C to +50 °C**Housing:** polycarbonate, UV-resistant**Channel 1 (lighting control)****Switching power:** 1200 W,  $\cos \varphi = 1$   
max. inrush current  $I_p$  (20 ms) = 120 A**Type of contact:** 1x  $\mu$ -contact, NO contact**Follow-up time:** **HF-MD1:** 5 sec - 15 min  
**HF-MD1 ESL:** (for use with fluorescent lamps) 5 min - 15 min**Switch-on threshold:** 2 - 2000 Lux**Radar / HF technology:** 5.8 GHz, < 10 mW

## Description

Description	Colour	Part number	EAN number
HF-MD1	white mat, similar to RAL9010	94401	4007529944019
HF-MD1 ESL	white mat, similar to RAL9010	94417	4007529944170

## Accessory

Description	Colour	Part number	EAN number
RC-Arc extinction kit	white	10880	4007529108800
Mini-RC-Arc extinction kit	black	10882	4007529108824

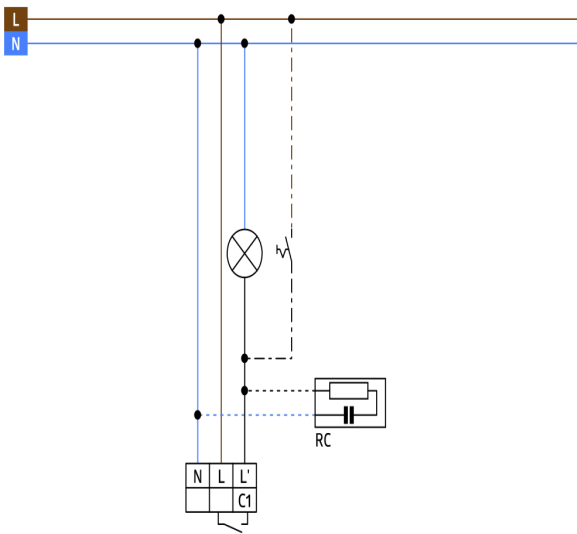


Dimensions 94401

Range diagram

1: Walking across or towards. &lt;br /&gt; The range depends on

size and speed of the object.



Wiring diagrams